

DESCRIPTION

The Dynafor™ AL63 is designed and manufactured by Tractel®.

The Dynafor™ AL63 is a robust wireless or wired giant display, used in applications where visibility is a requirement.

Permanently mounted on a wall or a crane, the Dynafor™ AL63 ensures a visibility up to 45 m.

Connected to one or several Dynafor™ Pro, Expert, Transmitter RS, Transmitter WL, the Dynafor™ AL63 displays the sum of the sensors.

Equipped with radio 2.4 GHz (RF) and RS485 (proprietary) chipsets, the Dynafor™ AL63 provides either:

- A wireless connection* with Tractel® Dynafor™ Pro, Expert & Transmitter WL. Up to 4 loadcells can be connected simultaneously, with a range up to 200 m.
- A wired connection* with Tractel® Dynafor™ Transmitter RS. Up to 4 loadcells can be connected simultaneously.

**Both connections (wired and wireless) cannot be used at the same time.*

Always supplied with the remote control Dynafor™ TLC, the following functions are available remotely:

- Tare (Gross/Net)
- Units change (kN/ daN / lbs / t / ton (US) / kg)
- Peak hold
- On/Off



Display
63 mm height,
maximum
visibility



Water resistant



Up to
4 loadcells



Permanent
power
24 VDC



RS485 proprietary



RF up to 200m



ON/OFF, Tare, Units
& Peak functions
with TLC



ACCESSORIES & REQUIREMENTS

The Dynafor™ AL63 shall be connected to:

- Dynafor™ Pro and Expert
- Dynafor™ Transmitter RS
- Dynafor™ Transmitter WL

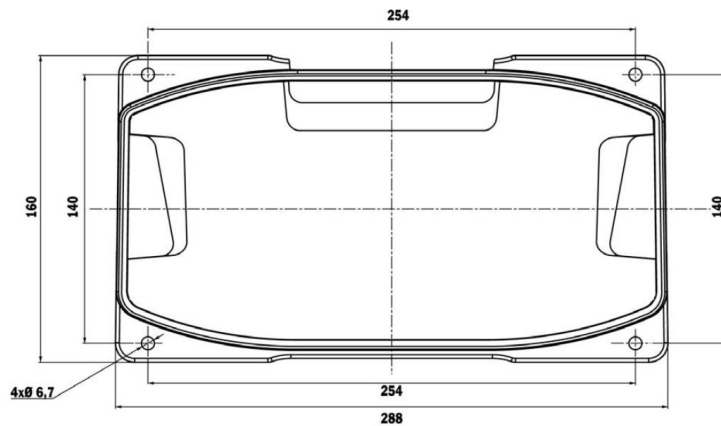
For more sophisticated solutions, the Dynafor™ AL63 can be used in combination with:

- Dynafor™ DMU for threshold management

APPLICABLE STANDARDS

Machinery	:	2006/42/CE		
Radio	:	RED 2014/53/UE	/ EN300440 V2.2.1	/ ETSI 203367 V1.1.0
Health	:	EN62479 (2010)		
EMC	:	EN61326-1 (2013)	/ EN301 489- 1 & 17 Part 1 V2.2.3 and Part 17 V3.1.1	
Electrical safety	:	IEC/EN61010-1 (Amd 1 Ed 3)		
UL & CSA Approval	:	FCC part 15	/ RSS-GEN & RSS-210	/ CES-003

MOUNTING DIMENSIONS



TECHNICAL CHARACTERISTICS



MODEL		AL 63	Remote control TLC
Purchasing code		294579 (incl. remote control TLC)	293489
Number of sensors inputs		From 1 to 4 sensors (sum display)	
Digits height	mm	63	
Allowed value display		From 0.001 to 99995	
RF Technology		2,4 GHz proprietary, range up to 200 m (open field)	
Wired technology		RS485 (proprietary)	
Conversion factor		1 kg = 0,98083 daN = 2,20462 lbs	
Power supply		24 VDC	2 x "AAA" batteries
Operational current		1 A	
Weight	kg	1,2	0.08
Operating temperature		-20 °C to +40 °C	
Sample rate		4 Hz, up to 32 Hz in "Peak Hold"	
IP Protection		IP65	IP64
Material		ABS	Plastic
Dimensions	Length (mm)	288	95
	Width (mm)	160	63
	Depth (mm)	130	19

CODES

Code	Description	EAN Code
294579	Dynafor™ kit AL63 (incl remote & junction box)	3600232945797
293499	Dynafor™ TLC	3600232934998
244019	Junction box	3600232440192
25871	RS485 cable, per meter	3600230258713